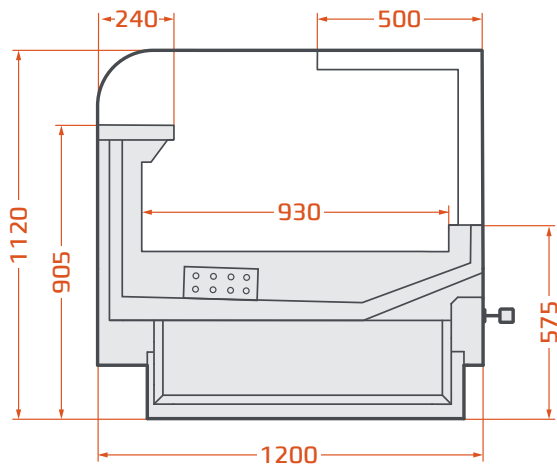
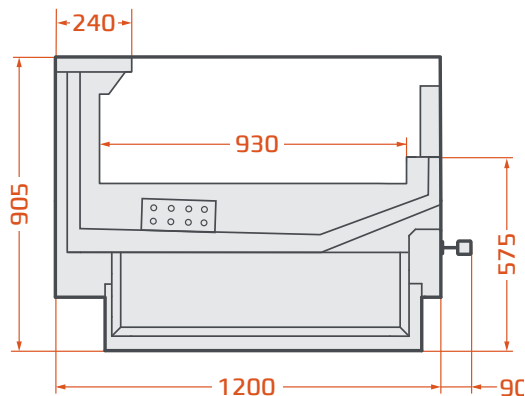


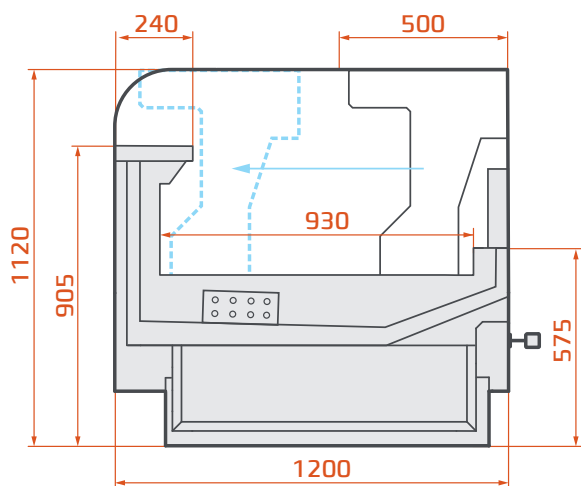
Standard



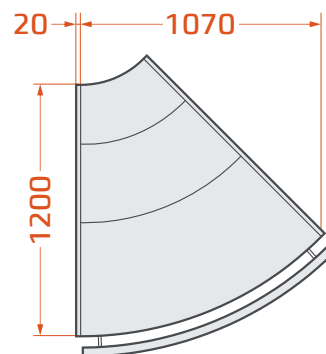
Self



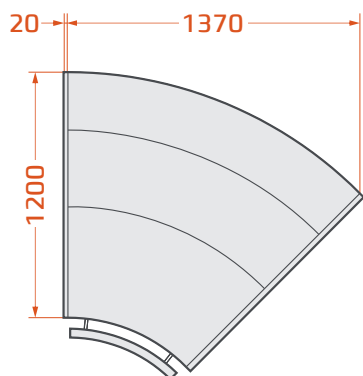
GO



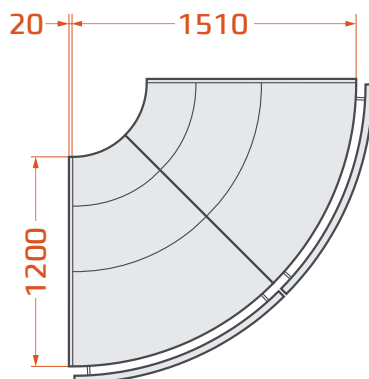
EXT 45°



INT 45°



EXT 2x45°



INT 2x45°

